

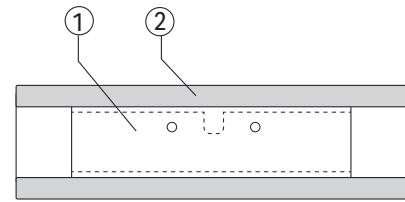
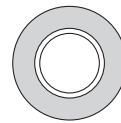
# Cable Termination

## Brass Bullet Connectors

- Materials:** Insulation material: Vinyl.  
Inserts material: Steel.
- Features:** Maximum temperature: +85°C  
Voltage rating: 600V max.
- Application:** Used for connecting brass bullets together.  
Single connector joins 2 bullets.  
Double connector joins 4 bullets.

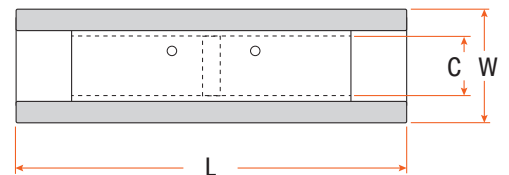


**SBBS**

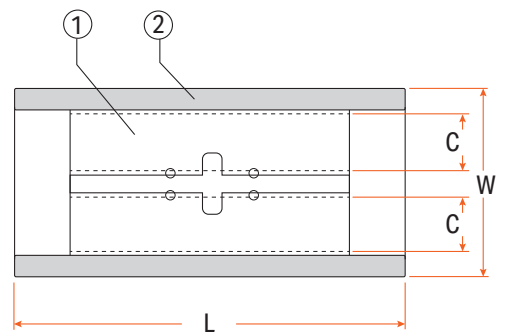


**Material**

- ① Steel
- ② Vinyl



**DBBS**



Item No.	Colour	Type	Dimensions (mm)			
			A	B	C	D
WT73	Black	Single	4.5	8.1	29.8	-
WT74	Black	Double	4.5	15.6	30.6	9.2